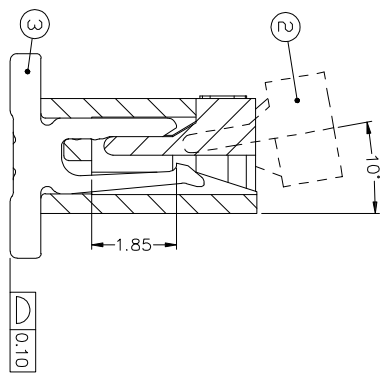
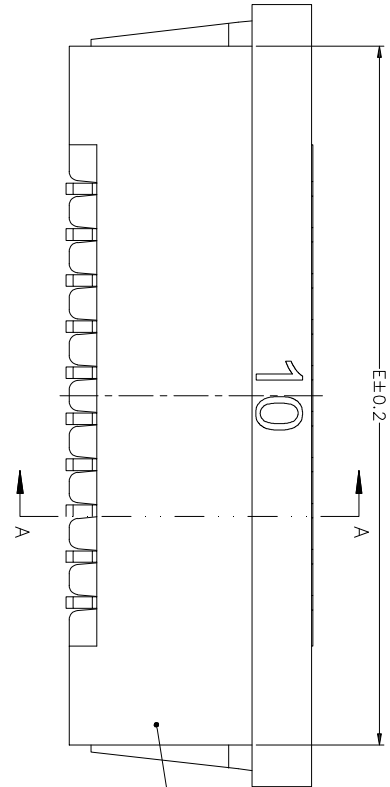
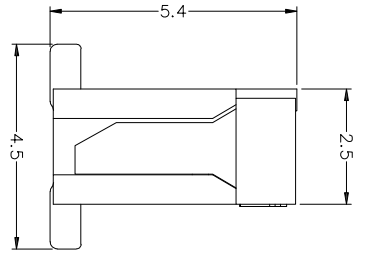
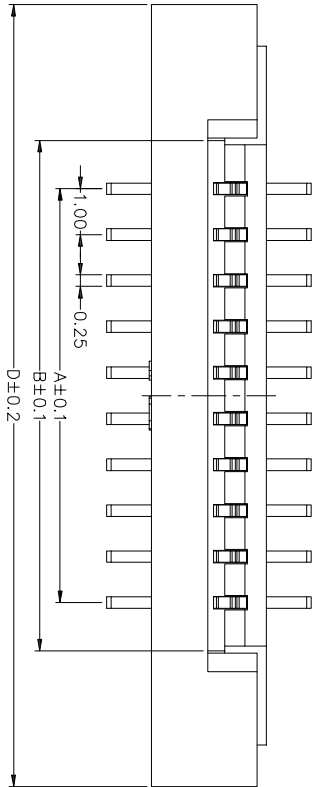
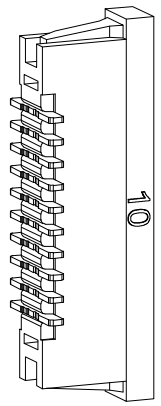


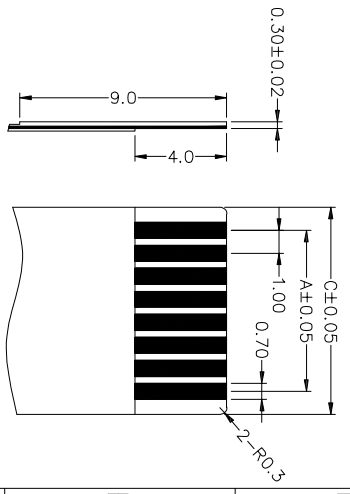
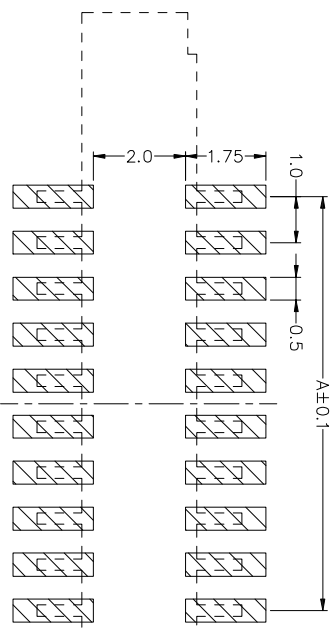
RoHS

# 1.0mm PITCH FPC CONNECTORS

EDITION	SUMMARY OF CHANGES	ISSUE DATE
7		
8		



SECTION A-A



## PC BOARD LAYOUT

## PROPER CABLE (SCALE 2:1)

**Electrical**  
 rated current:0.5A AC(rms)/DC  
 nominal voltage:50V AC(rms)/DC  
 Dielectric Withstanding Voltage:500V AC/rms  
 Contact Resistance:≤20 mΩ max(initial)  
 Insulation Resistance:800 M Ω min  
 Operating Temp:-20 ℃~+85

SERIAL NUMBER	NAME	MATERIALS	PART NUMBER
③	TERMINAL	PHOSPHOR BRONZE	PHR-38-5077
②	LATCH	LCRPAACRUST04V4	LR-NA
①	HOUSING	LCRPAACRUST04V4	LR-NA

SHINHWHA TECH CO., LTD

GENERAL	TOLERANCE	UNIT:	DRAWN:	DATE:
X #05	X: #2	mm		2020/07/04
XX #02	X: #1	SCALE: 1:1	CHECK:	DATE:
XXX #05	XX: #05	SIZE: A4	APPROVE:	DATE:

ANGLE PROJECTION	SIZE:	APPROVE:	DATE:
	A4		

ITEM:	PART NO:	DRAWING NUMBER:
1.0 FPC VERTICAL TYPE	1.0K-GT-nPB	202000022

PIN	DIM A	DIM B	DIM C	DIM D	DIM E
4	3.00	5.10	5.00	11.00	9.20
5	4.00	6.10	6.00	12.00	10.20
6	5.00	7.10	7.00	13.00	11.20
7	6.00	8.10	8.00	14.00	12.20
8	7.00	9.10	9.00	15.00	13.20
9	8.00	10.10	10.00	16.00	14.20
10	9.00	11.10	11.00	17.00	15.20
11	10.00	12.10	12.00	18.00	16.20
12	11.00	13.10	13.00	19.00	17.20
13	12.00	14.10	14.00	20.00	18.20
14	13.00	15.10	15.00	21.00	19.20
15	14.00	16.10	16.00	22.00	20.20
16	15.00	17.10	17.00	23.00	21.20
17	16.00	18.10	18.00	24.00	22.20
18	17.00	19.10	19.00	25.00	23.20
19	18.00	20.10	20.00	26.00	24.20
20	19.00	21.10	21.00	27.00	25.20
21	20.00	22.10	22.00	28.00	26.20
22	21.00	23.10	23.00	29.00	27.20
23	22.00	24.10	24.00	30.00	28.20
24	23.00	25.10	25.00	31.00	29.20
25	24.00	26.10	26.00	32.00	30.20
26	25.00	27.10	27.00	33.00	31.20
27	26.00	28.10	28.00	34.00	32.20
28	27.00	29.10	29.00	35.00	33.20
29	28.00	30.10	30.00	36.00	34.20
30	29.00	31.10	31.00	37.00	35.20
31	30.00	32.10	32.00	38.00	36.20
32	31.00	33.10	33.00	39.00	37.20
33	32.00	34.10	34.00	40.00	38.20
34	33.00	35.10	35.00	41.00	39.20
35	34.00	36.10	36.00	42.00	40.20
36	35.00	37.10	37.00	43.00	41.20